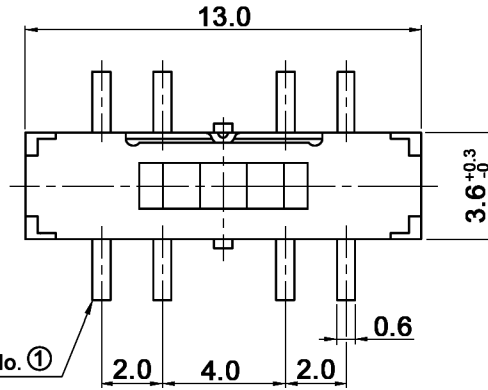
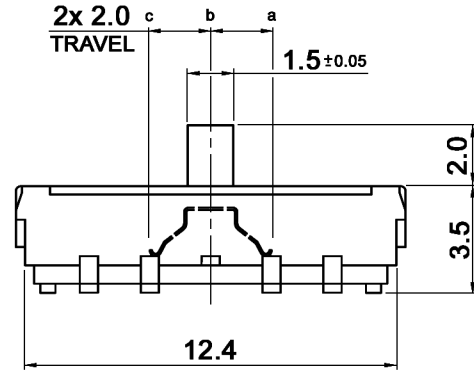
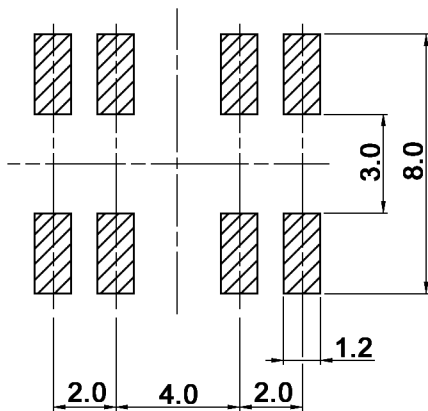


8x **A** common tolerances zone

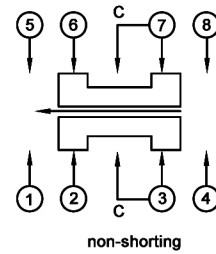
\square 0.1



P.C. LAYOUT



CIRCUIT DIAGRAM
C: COMMON PIN



Compliance: RohS III (2015/863/EU)

| Tolerances: up to 10: ±0.2mm above 10-50: ±0.3mm above 50-100: ±0.5mm | | Date | Name |
|-----------------------------------------------------------------------------|-------|-------|------|
| | | 09/07 | dr |
| Circuit | 05/22 | dr | |
| Operating temperature | 07/21 | dr | |
| Slider material | 06/21 | dr | |
| Revised | 01/21 | dr | |
| Dimension | 07/16 | dr | |
| Common pin orientation | 10/14 | dr | |
| Material contact plate | 07/14 | dr | |
| Soldering conditions | 07/11 | dr | |
| Material | 06/09 | dr | |
| Slider position | 06/08 | dr | |
| Operating temperature | 12/07 | dr | |
| Modifications | Date | Name | |

MMS 238 T

knitter-switch

30 12 36

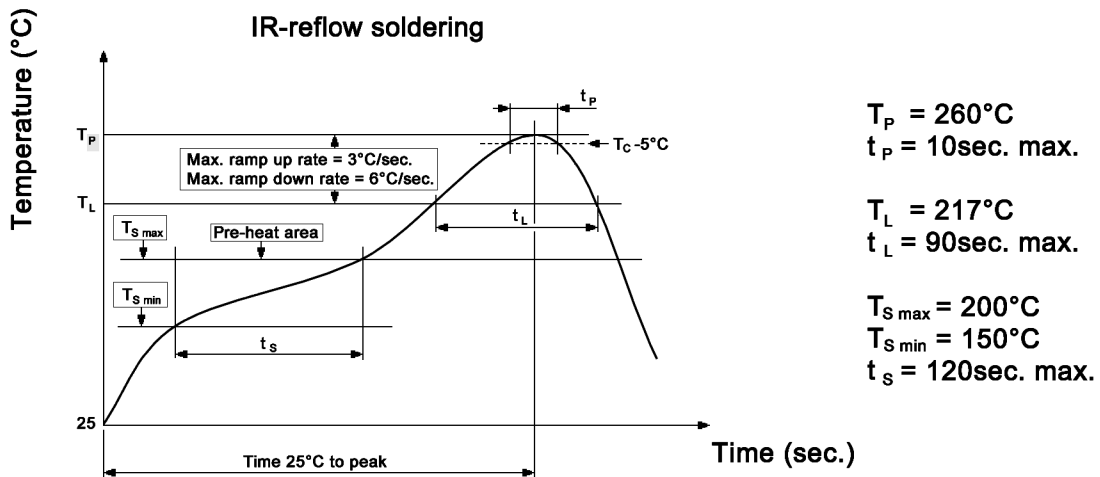
Page

1/3

Specifications:

Contact rating: 0.3A, 6V DC
Contact resistance: 70mOhm max.
Insulation resistance: 100MOhm min. at 500V DC for 1 minute
Dielectric strength: 500V AC (50/60Hz, 2mA) for 1 minute
Operating temperature: -40°C to +85°C
Mechanical life: 5 000 cycles min.
Operating force: a-b c-b: 200 +/-100gf
 b-a b-c: 300 +/-150gf
Material: Case: PPA, black
 Contact plate: stainless steel, silver plated
 Slider: PPA, black
 Cover: SUS, washing
 Terminal: brass strip, silver plated

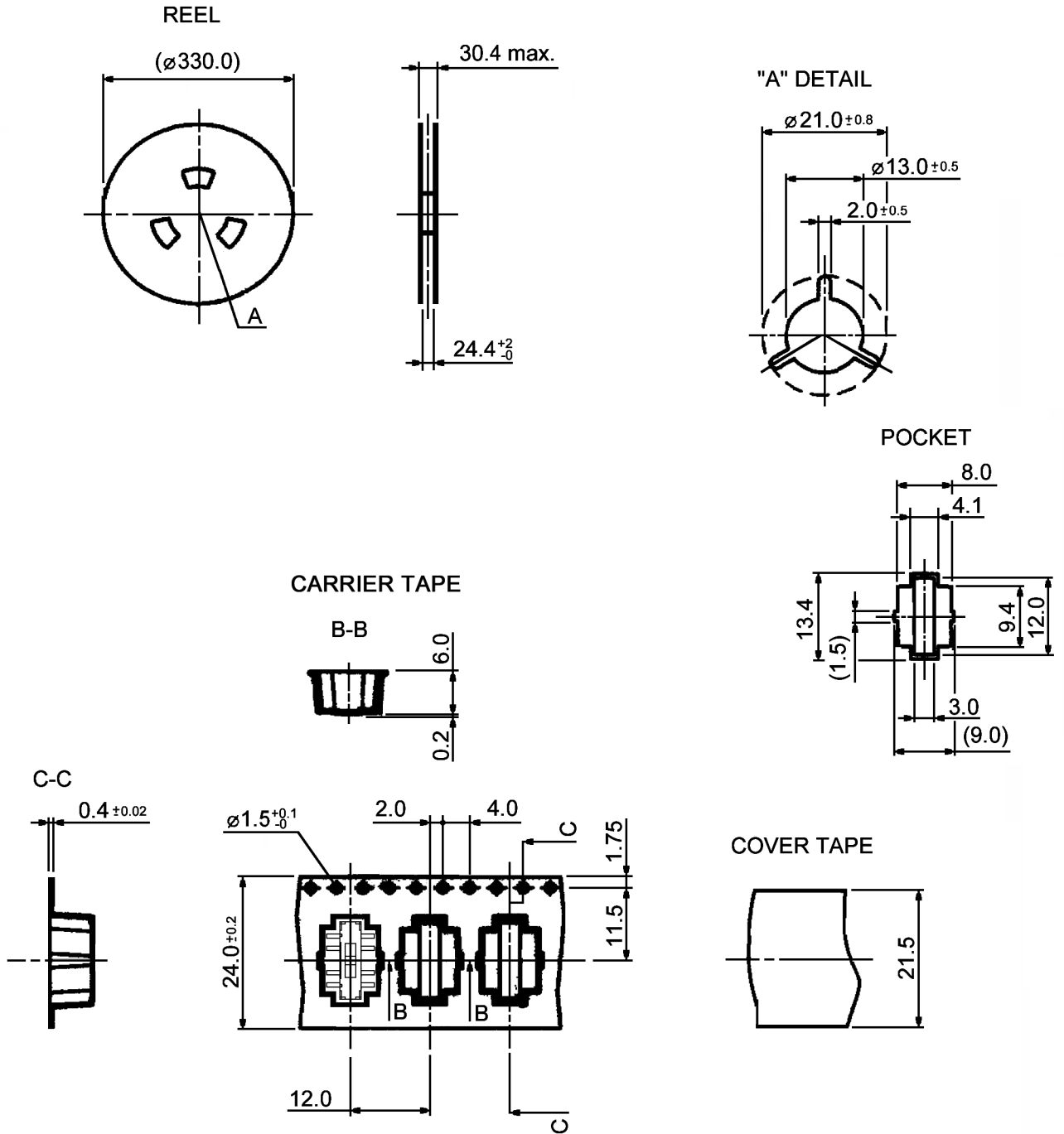
Soldering conditions:



Compliance: RohS III (2015/863/EU)

| | | | | |
|-----------------------------------------------------------------------------|-------|-------|-------------------|--------------------|
| Tolerances: up to 10: ±0.2mm above 10-50: ±0.3mm above 50-100: ±0.5mm | | Date | Name | <h1>MMS 238 T</h1> |
| | | 09/07 | dr | |
| Circuit | 05/22 | dr | | |
| Operating temperature | 07/21 | dr | | |
| Slider material | 06/21 | dr | | |
| Revised | 01/21 | dr | | |
| Dimension | 07/16 | dr | | |
| Common pin orientation | 10/14 | dr | | |
| Material contact plate | 07/14 | dr | | |
| Soldering conditions | 07/11 | dr | | |
| Material | 06/09 | dr | | |
| Slider position | 06/08 | dr | <h2>30 12 36</h2> | Page |
| Operating temperature | 12/07 | dr | | 2/3 |
| Modifications | Date | Name | | |

Packaging:



Packaging unit: 900 pcs. / reel
 Compliance: RohS III (2015/863/EU)

| Tolerances: up to 10: $\pm 0.2\text{mm}$ above 10-50: $\pm 0.3\text{mm}$ above 50-100: $\pm 0.5\text{mm}$ | | Date | Name |
|-----------------------------------------------------------------------------------------------------------------|-------|-------|------|
| | | 09/07 | dr |
| Circuit | 05/22 | dr | |
| Operating temperature | 07/21 | dr | |
| Slider material | 06/21 | dr | |
| Revised | 01/21 | dr | |
| Dimension | 07/16 | dr | |
| Common pin orientation | 10/14 | dr | |
| Material contact plate | 07/14 | dr | |
| Soldering conditions | 07/11 | dr | |
| Material | 06/09 | dr | |
| Slider position | 06/08 | dr | |
| Operating temperature | 12/07 | dr | |
| Modifications | Date | Name | |

MMS 238 T

knitter-switch

30 12 36

Page

3/3